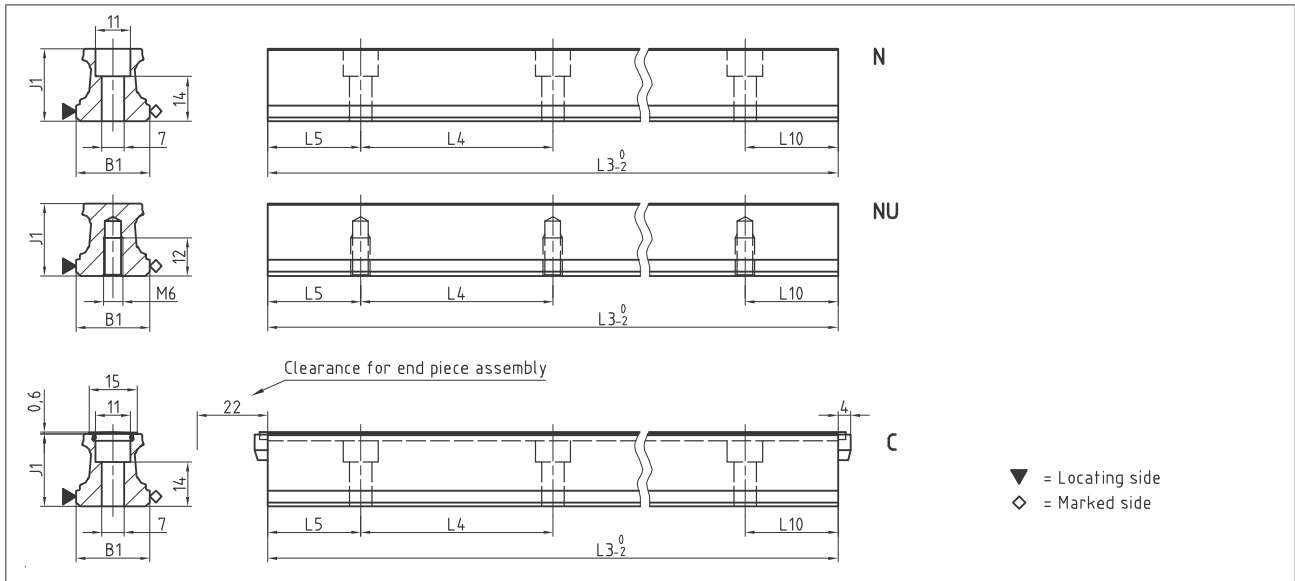
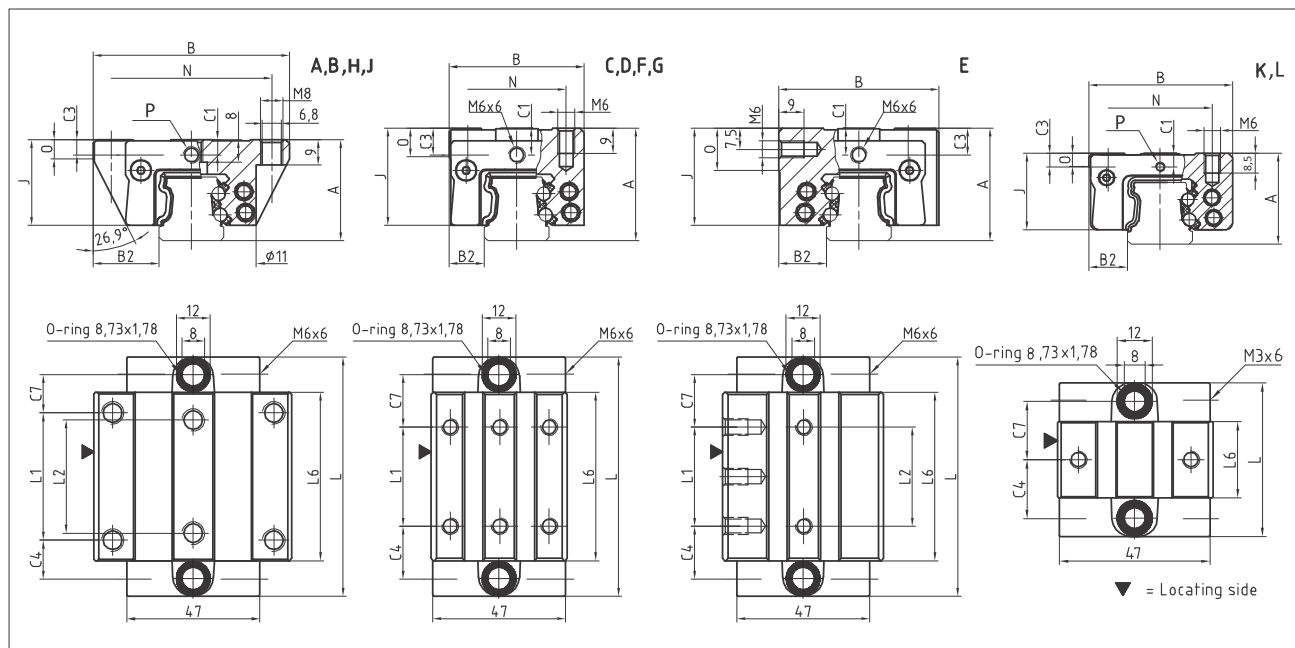


## 4.2 Technical data and options BM Size 25

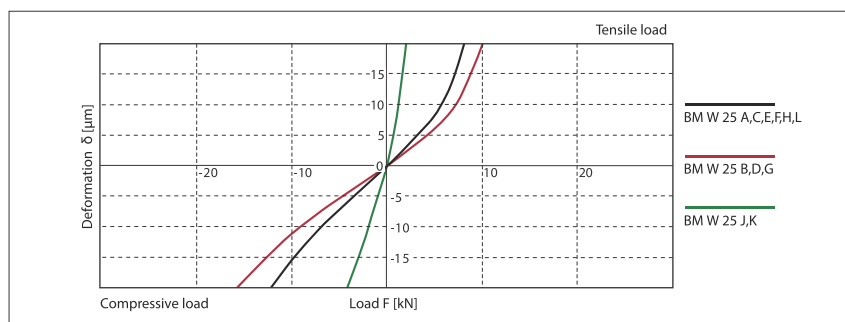
### BM S 25 Drawings



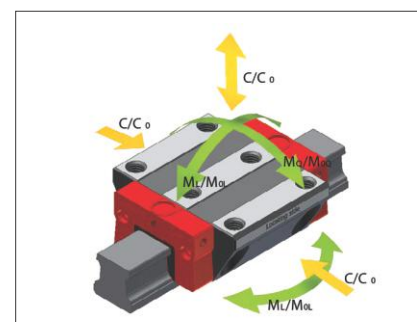
### BM W 25 Drawings



### BM W 25 Rigidity diagram



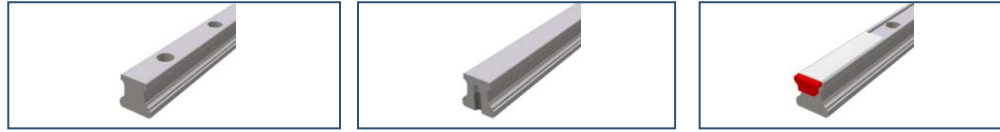
### BM W 25 Load rating



## 4.2 Technical data and options

## BM Size 25

### BM S 25 Dimensions



مشخصات	BM S 25-N	BM S 25-NU	BM S 25-C
B1: Rail width	23	23	23
J1: Rail height	22.7	22.7	22.7
L3: Rail length max.	6000	6000	3000
L4: Spacing of fixing holes	60	60	60
L5/L10: Position of first/last fixing hole	28.5	28.5	28.5
Gew.: Rail weight, specific (kg/m)	3.0	3.1	2.8
قیمت	دلار		
	تومان		

### BM W 25 Dimensions and capacities



مشخصات	BM W 25-A	BM W 25-B	BM W 25-C	BM W 25-D	BM W 25-E	BM W 25-F	BM W 25-G	BM W 25-H	BM W 25-J	BM W 25-K	BM W 25-L
A: System height	36	36	40	40	40	36	36	33	33	33	33
B: Carriage width	70	70	48	48	57	48	48	73	73	48	48
B2: Distance between locating faces	23.5	23.5	12.5	12.5	17	12.5	12.5	25	25	12.5	12.5
C1: Position of center front lube hole	5.5	5.5	9.5	9.5	9.5	5.5	5.5	4.3	4.3	4.3	4.3
C3: Position of lateral lube hole	5.5	5.5	9.5	9.5	9.5	5.5	5.5	3.8	3.8	3.8	3.8
C4: Position of lateral lube hole	13.8	23.3	18.8	20.8	18.8	18.8	20.8	18.8	24.4	24.4	18.8
C7: Position of top lube hole	13.5	23	18.5	20.5	18.5	18.5	20.5	18.5	24.1	24.1	18.5
J: Carriage height	30.5	30.5	34.5	34.5	34.5	30.5	30.5	27.5	27.5	27.5	27.5
L: Carriage length	84.5	103.5	84.5	103.5	84.5	84.5	103.5	84.5	60.7	60.7	84.5
L1: Exterior fixing hole spacing	45	45	35	50	35	35	50	35	-	-	35
L2: Interior fixing hole spacing	40	40	-	-	35	-	-	-	-	-	-
L6: Steel body length	59.5	78.5	59.5	78.5	59.5	59.5	78.5	59.5	35.7	35.7	59.5
N: Lateral fixing hole spacing	57	57	35	35	-	35	35	60	60	35	35
O: Reference face height	7	7	10	10	15	10	10	8	8	9.5	9.5
P: Connecting thread (MxL)	6x6	6x6	6x6	6x6	6x6	6x6	6x6	3x6	3x6	3x6	3x6
Capacities and weights											
C0: Static load capacity (N)	46100	60300	46100	60300	46100	46100	60300	46100	18200	18200	46100
C100: Dynamic load capacity (N)	21100	25500	21100	25500	21100	21100	25500	21100	12800	12800	21100
M0Q: Static cross moment capacity (Nm)	631	825	631	825	631	631	825	631	251	251	631
M0L: Static longitud. moment capacity (Nm)	513	863	513	863	513	513	863	513	101	101	513
MQ: Dyn. cross moment capacity (Nm)	289	349	289	349	289	289	349	289	176	176	289
ML: Dyn. longitud. moment capacity (Nm)	235	365	235	365	235	235	365	235	71	71	235
Gew: Carriage weight (kg)	0.7	0.9	0.6	0.8	0.7	0.6	0.7	0.6	0.4	0.3	0.4
قیمت	دلار										
	تومان										